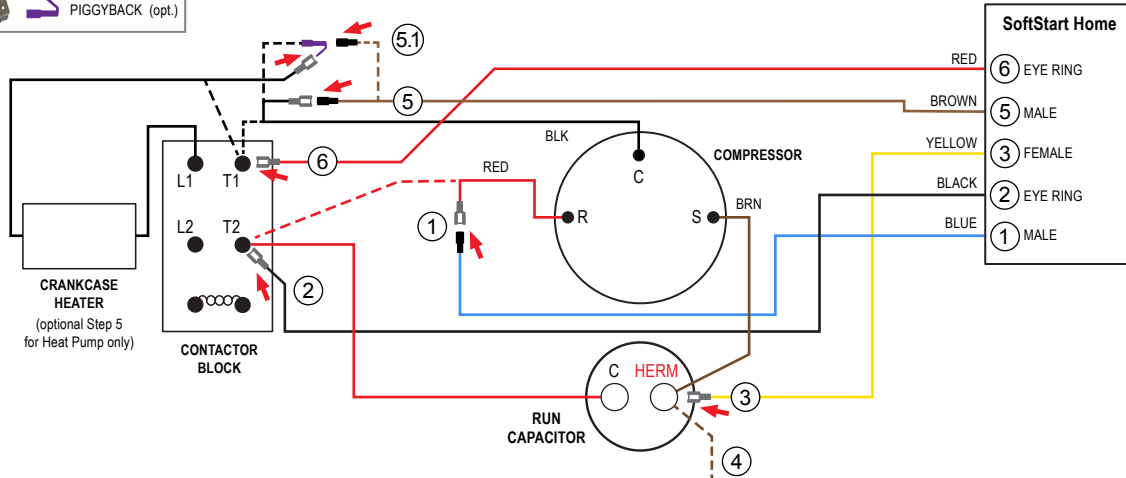


NOTE: SoftStart Home wires number 2 (Black) and number 6 (Red) may require Eye Ring Connectors if the Contactor Block terminals are studs with threaded fasteners.



TURN OFF ALL POWER AND BREAKERS BEFORE STARTING INSTALLATION.

Route all SoftStart wires into the electrical box. Then crimp connectors onto all SoftStart Home wires as indicated in drawing.

- Step ① Follow Red Compressor wire from Compressor to T2 terminal on Contactor Block. Disconnect Red wire from Block; if equipped with Eye Ring, cut off Eye Ring and crimp Female connector on end; and connect it to Blue SoftStart wire. Tape connection.
- Step ② Connect Black SoftStart wire to the T2 terminal that the Red Compressor wire was on.
- Step ③ Connect Yellow SoftStart wire to "H" HERM terminal on Run Capacitor next to Brown Compressor wire.
- Step ④ If you see a second Brown wire on the "H" HERM terminal, disconnect the second Brown wire, tape the end and drop it.
- Step ⑤ Follow Black Compressor wire FROM the Compressor to the T1 terminal on the Contactor Block. Disconnect Black Compressor wire; if equipped with Eye Ring, cut off Eye Ring and crimp Female connector on end; and connect it to Brown SoftStart wire. Tape connection.
- Step ⑤.1 **[FOR HEAT PUMP ONLY]** Follow Black Compressor wire FROM the Compressor to the T1 terminal on the Contactor Block. Disconnect Black Compressor wire; if equipped with Eye Ring, cut off Eye Ring and crimp Piggyback connector on end. Connect Brown SoftStart wire to female part of Piggyback connector. Disconnect small Crankcase wire from T1 terminal and connect it to male tangent of Piggyback connector. Tape all connections (or use shrink sleeves).
- Step ⑥ Connect Red SoftStart wire onto the T1 terminal that the Black Compressor wire was on.

Secure all wires. Tape connections with electrical tape.

Turn Power and A/C Breaker on. Turn A/C to Auto Cool setting and set the thermostat to 55°F.

Look at SoftStart LED lights. Run LED 1 light should be "on". Green light means the Compressor is running (there may be a full 3-minute delay before Green light comes on). **IF there is no Green light after 4 minutes**, call SoftStart Tech Support for assistance.

After establishing Green light operation, re-install all A/C covers.

Turn A/C on, set near to outdoor temperature and run for 30 minutes.

After 30 minutes, operate A/C normally.

Wiring Diagram for Champion Home A/C 5160254 UWD B 0116